

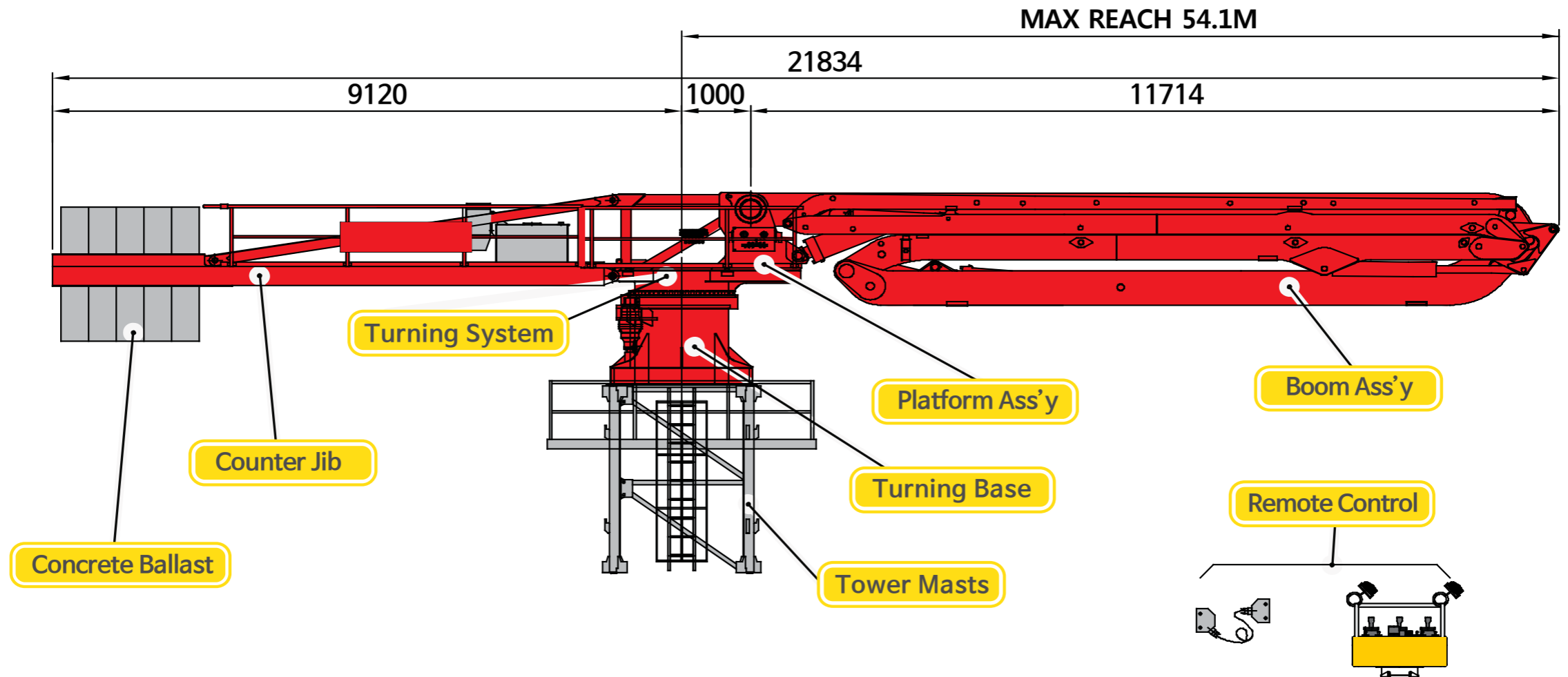
Ref no. T55H

DATA SHEET **JB-T55H**

PLACING BOOM



Placing System on Tower Mast 55M 5 Sections ROLL-Z Designed Boom



* All technical data are theoretical values and Specification are subject to change without prior notice.

* www.junjn.com

Ref no.

DATA SHEET **JB-T55H**

PLACING BOOM

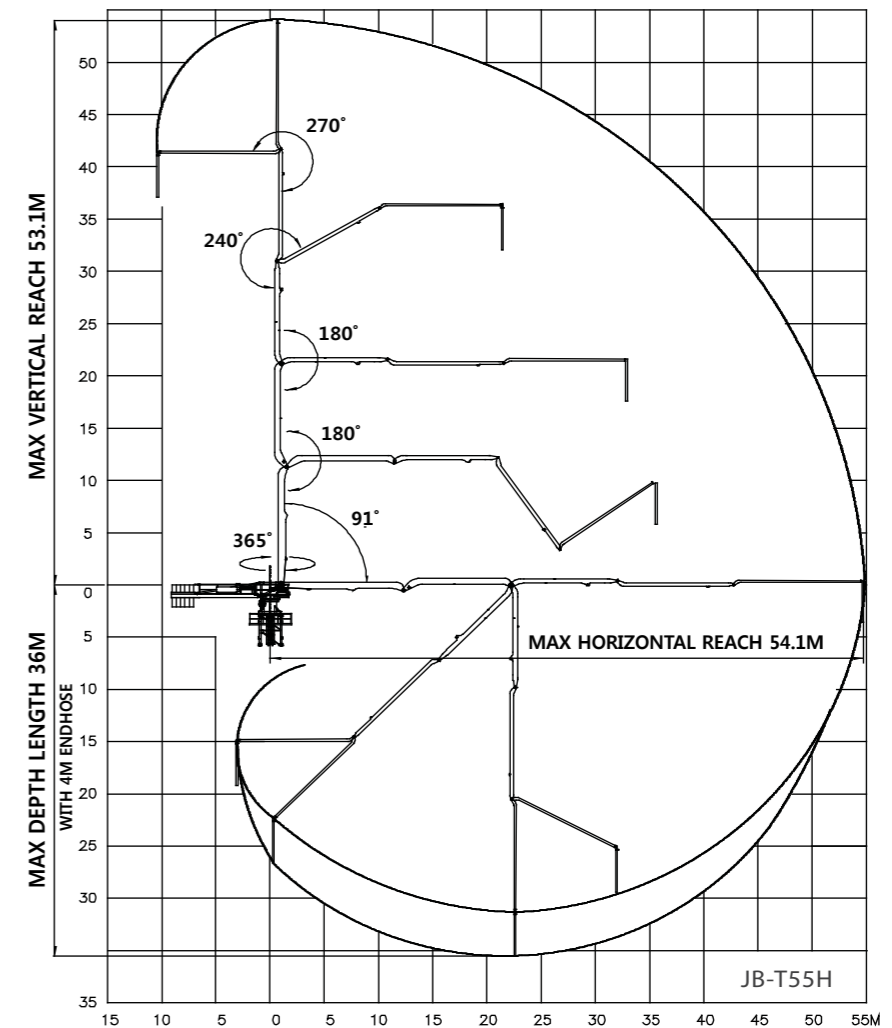


Placing System on Tower Mast 55M 5 Sections ROLL-Z Designed Boom

Boom Specification / Technical Specification

SPECIFICATION			SPECIFICATION		
Boom Design	5 Sections ROLL-Z TYPE		Boom Articulation	1st Section	91°
Horizontal Reach	54.1m			2nd Section	180°
Vertical Reach	53.1m			3rd Section	180°
Reach Depth	36m			4th Section	240°
Boom Length	1st Section	11.4m		5th Section	270°
	2nd Section	10m	Rotation	365°	
	3rd Section	9.9m	Delivery Line	DN 125mm(5")	
	4th Section	10.8m	Electric System	AC380V / 60Hz	
	5th Section	11m	Control Systems	Radio-Cable-Manual	
End Hose Length	4.0m		Electric Motor	22KW	

WORKING DIAGRAM



* All technical data are theoretical values and Specification are subject to change without prior notice.

* www.junjn.com

Ref no.

DATA SHEET **JB-T55H**

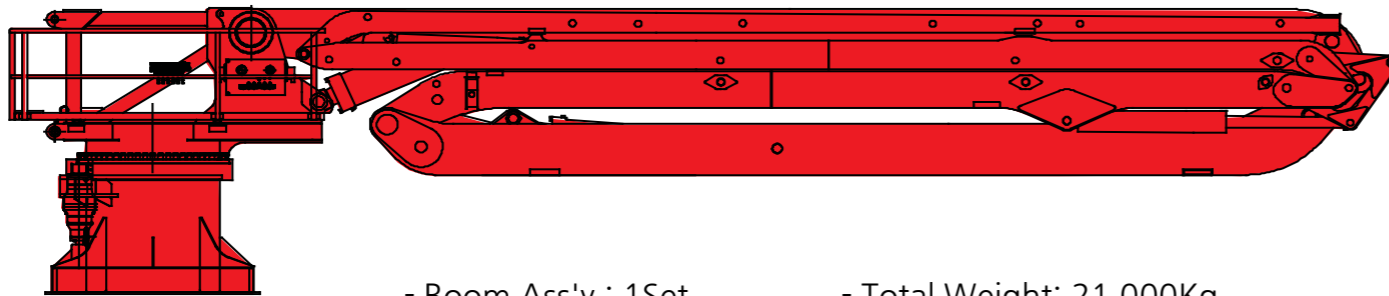
PLACING BOOM



Placing System on Tower Mast 55M 5 Sections ROLL-Z Designed Boom

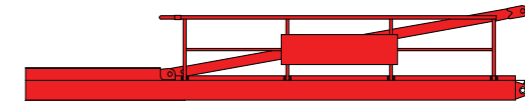
Standard delivery Scope

▷ Boom ass'y



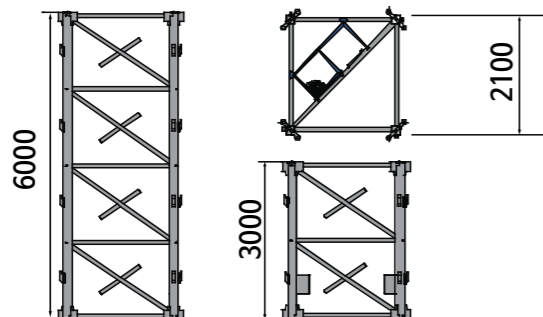
- Boom Ass'y : 1Set - Total Weight: 21,000Kg

▷ Counter Jib



- Counter Jib : 1 Set
- Total Weight : 3,150 kg

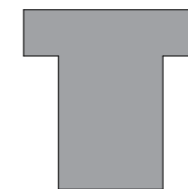
▷ Mast (Option)



- 3m Mast Total Weight
: 3 EA / 5,400kg (1,800kg * 3 EA)

- 6m Mast Total Weight
: 2 EA / 6,800kg (3,400kg * 2 EA)

▷ Concrete Ballast



- Concrete Ballast : 5 EA
- Total Weight : 15,000 kg (3000 kg*5)

* All technical data are theoretical values and Specification are subject to change without prior notice.

* www.junj.in