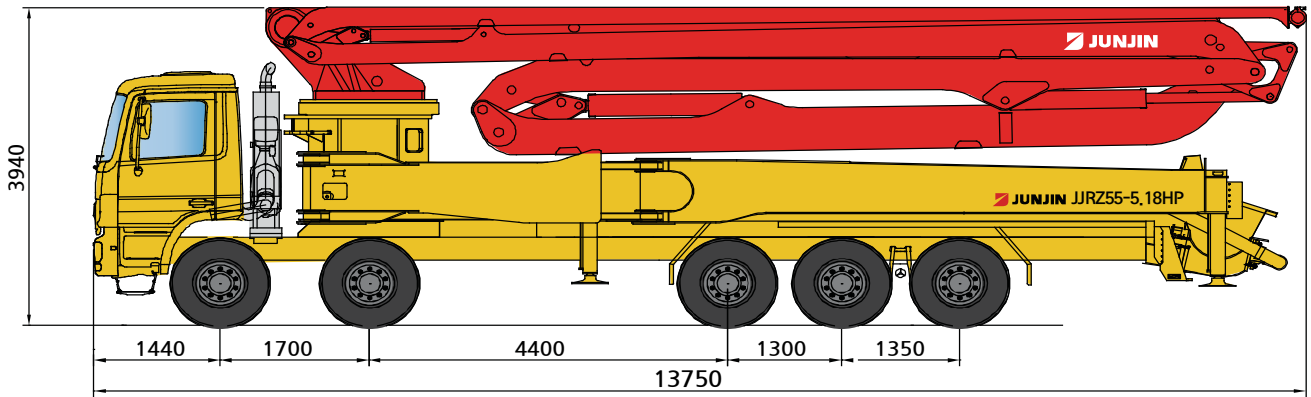


# JJRZ55-5.18HP

## DATA SHEET TRUCK MOUNTED BOOM PUMP



55M Truck Mounted Boom Pump with 177m<sup>3</sup>/h Output R&Z Type Boom Design



\* Remark : Standard specification with CHASSIS 10X4. Dimension depends on truck specification.

### TECHNICAL SPECIFICATION

GENERAL SPECIFICATION		PUMP SPECIFICATION			BOOM SPECIFICATION	
Delivery Line	DN 125 / 5"	Output	Rod	177 m <sup>3</sup> /h	Number of booms	5 Sections
Radio remote	Proportional control		Piston	120 m <sup>3</sup> /h	Folding Type	R & Z TYPE
Wear plate / Ring	Tungsten Carbide	Pressure	Rod	87 Bar	Vertical Height	54.8 m
Water Pump	20 Bar		Piston	130 Bar	Horizontal Reach	50.1 m
Water Tank	600 Liter	Delivery Cylinder (Hard-chromed)	φ230 mm		Unfolding height	14.4 m
Auto Lubrication	Hyd. grease, Hopper	Stroke Length	2100 mm		End-Hose Length	4.0 m
		S - Valve	8" X 7"			
		System Pressure	350 Bar			
		Switching Type	Hydraulic			
		Hopper Capacity	600 Liter			

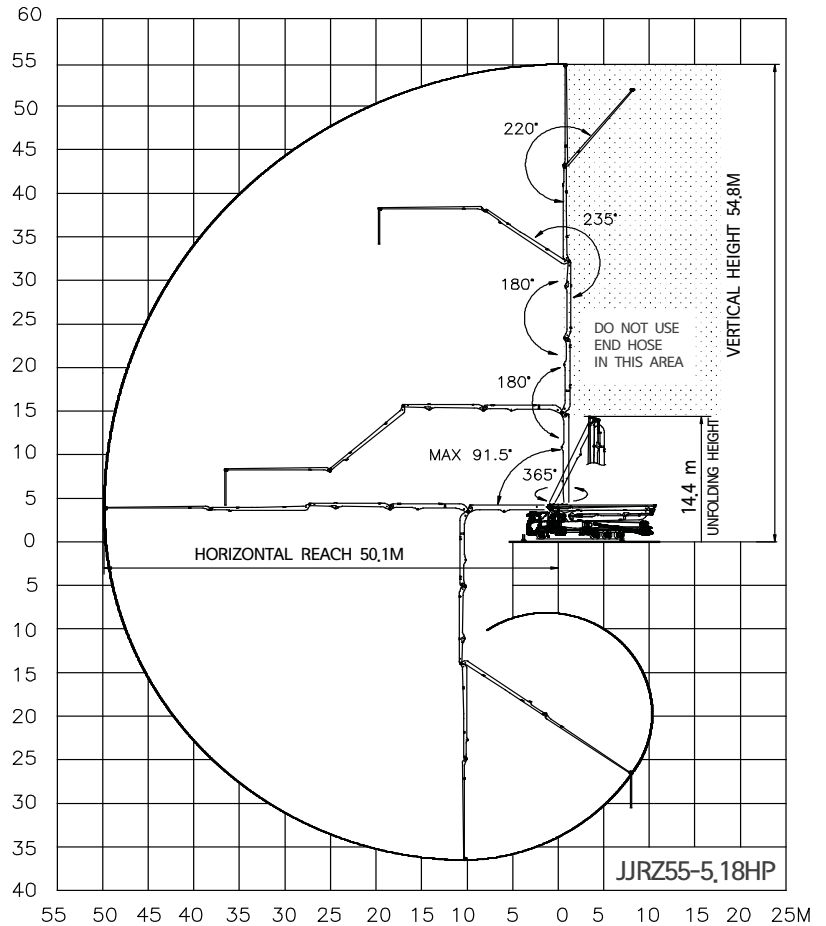
# JJRZ55-5.18HP

## DATA SHEET TRUCK MOUNTED BOOM PUMP

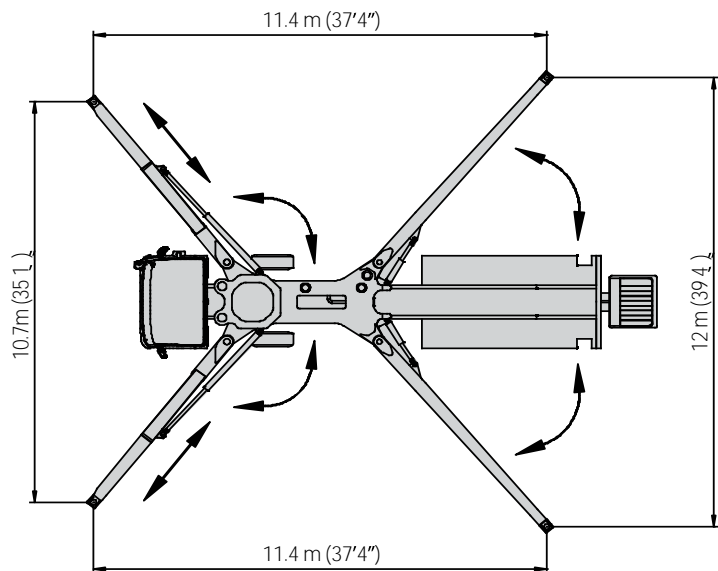


55M Truck Mounted Boom Pump with 177m<sup>3</sup>/h Output R&Z Type Boom Design

### BOOM WORKING DIAGRAM



### OUTRIGGER SPAN



\* All technical data are theoretical values and Specification are subject to change without prior notice.  
 \* www.junjin.com