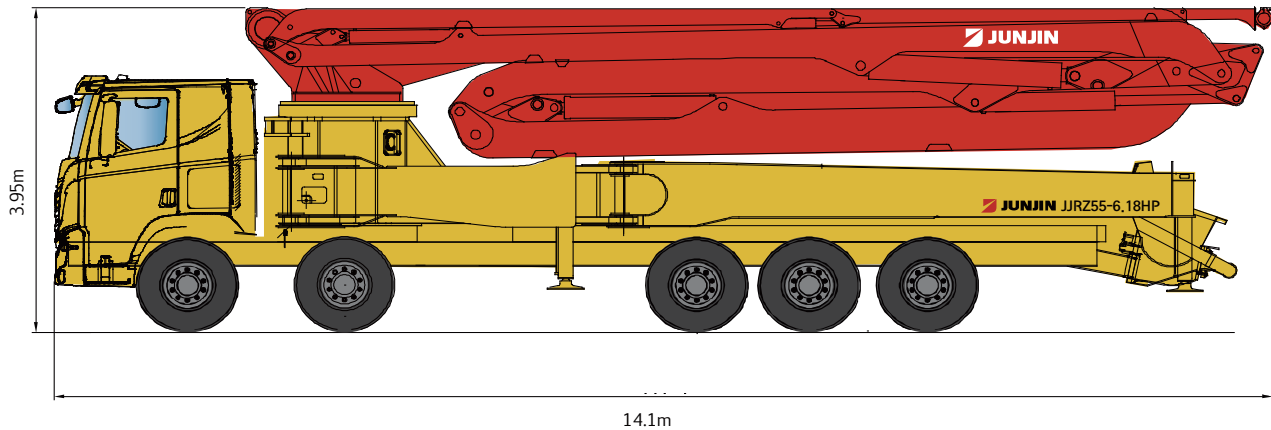


# JJRZ55-6.18HP

## DATA SHEET TRUCK MOUNTED BOOM PUMP



55M Truck Mounted Boom Pump with 177m<sup>3</sup>/h Output R&Z Type Boom Design



\* Remark : Standard specification with HYUNDAE 10X4. Dimension depends on truck specification.

### TECHNICAL SPECIFICATION

GENERAL SPECIFICATION		PUMP SPECIFICATION			BOOM SPECIFICATION	
Delivery Line	DN 125 / 5"	Output	Rod	177 m <sup>3</sup> /h	Number of booms	6 Sections
Radio remote	Proportional control		Piston	120 m <sup>3</sup> /h	Folding Type	R & Z TYPE
Wear plate / Ring	Tungsten Carbide	Pressure	Rod	87 Bar	Vertical Height	54.8 m
Water Pump	20 Bar		Piston	130 Bar	Horizontal Reach	49.8 m
Water Tank	600 Liter	Delivery Cylinder (Hard-chromed)	Φ230 mm		Unfolding height	14.4 m
Auto Lubrication	Hyd. grease, Hopper	Stroke Length	2100 mm		End-Hose Length	4.0 m
		S - Valve	8" X 7"		1st Section	10.8 m
		System Pressure	350 Bar		2nd Section	8.58 m
		Switching Type	Hydraulic		3rd Section	8.82 m
		Hopper Capacity	600 Liter		4th Section	11 m
					5th Section	6.5 m
					6th Section	5.1 m

\* All technical data are theoretical values and Specification are subject to change without prior notice.  
 \* www.junjin.com

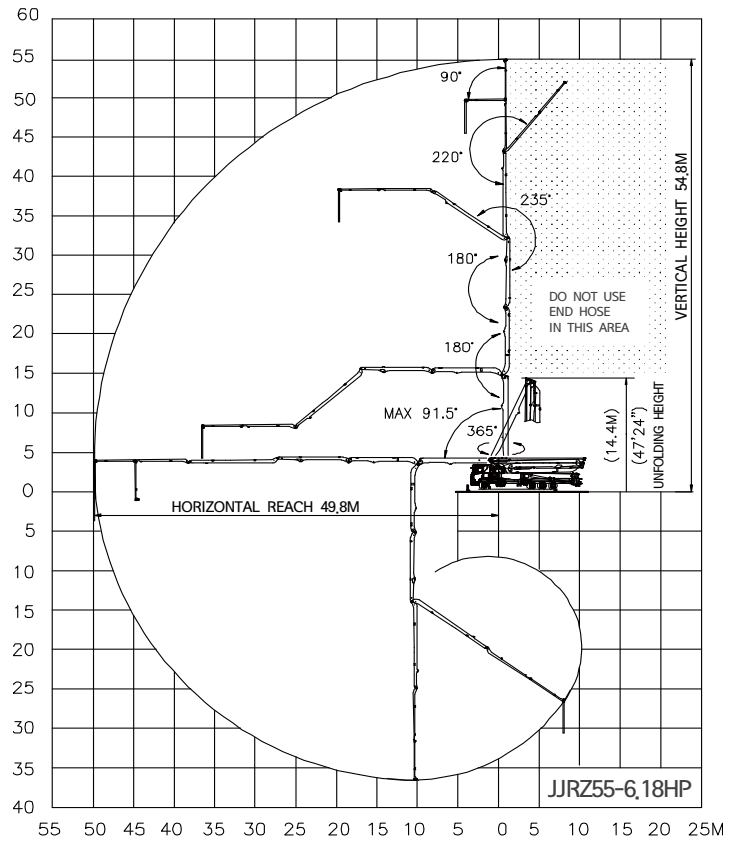
# JJRZ55-6.18HP

DATA SHEET TRUCK MOUNTED BOOM PUMP

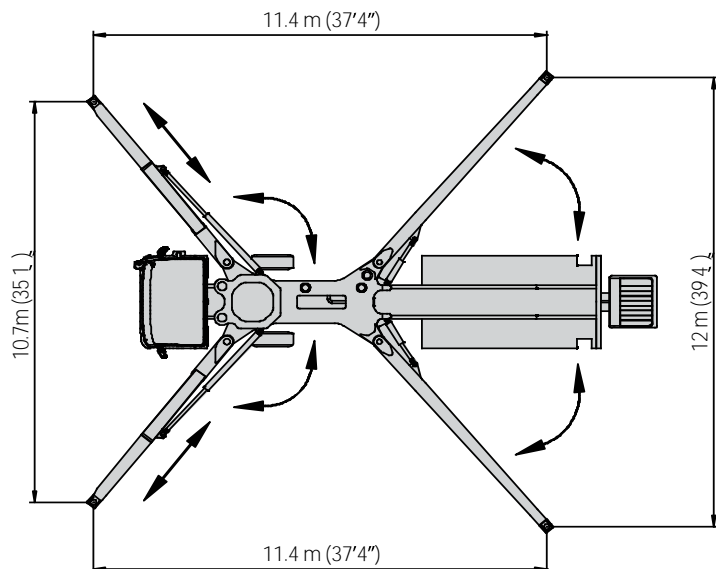


55M Truck Mounted Boom Pump with 177m<sup>3</sup>/h Output R&Z Type Boom Design

## BOOM WORKING DIAGRAM



## OUTRIGGER SPAN



\* All technical data are theoretical values and Specification are subject to change without prior notice.  
\* [www.junjin.com](http://www.junjin.com)