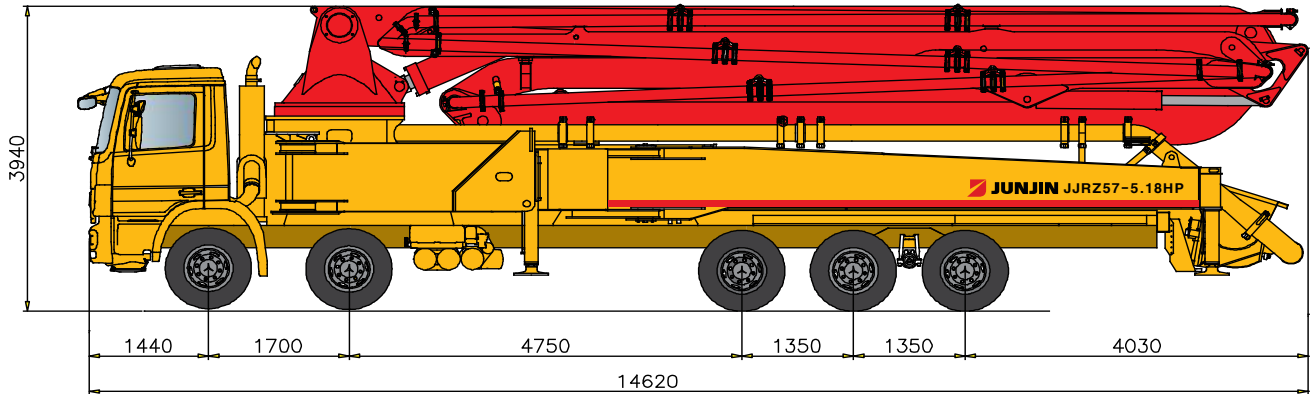


# JJRZ57-5.18HP

## DATA SHEET TRUCK MOUNTED BOOM PUMP



57M Truck Mounted Boom Pump with 177m<sup>3</sup>/h Output & RZ Type Boom Design



\* Remark : Standard specification with MB4144. Dimension depends on truck specification.

### TECHNICAL SPECIFICATION

GENERAL SPECIFICATION		PUMP SPECIFICATION			BOOM SPECIFICATION	
Delivery Line	DN 125 / 5"	Output	Rod	177 m <sup>3</sup> /h	Number of booms	5 Sections
Radio remote	Proportional control		Piston	120 m <sup>3</sup> /h	Folding Type	R & Z TYPE
Wear plate / Ring	Tungsten Carbide	Pressure	Rod	87 Bar	Vertical Height	56.5 m
Water Pump	20 Bar		Piston	130 Bar	Horizontal Reach	52.5 m
Water Tank	800 Liter	Delivery Cylinder (Hard-chromed)	Φ230 mm		Unfolding height	11.6 m
Auto Lubrication	Hyd. grease, Hopper	Stroke Length	2100 mm		End-Hose Length	4.0 m
		S - Valve	S2018		1st Section	11.6 m
		System Pressure	350 Bar		2nd Section	9.9 m
		Switching Type	Hydraulic		3rd Section	9.8 m
		Hopper Capacity	600 Liter		4th Section	10.7 m
					5th Section	10.8 m

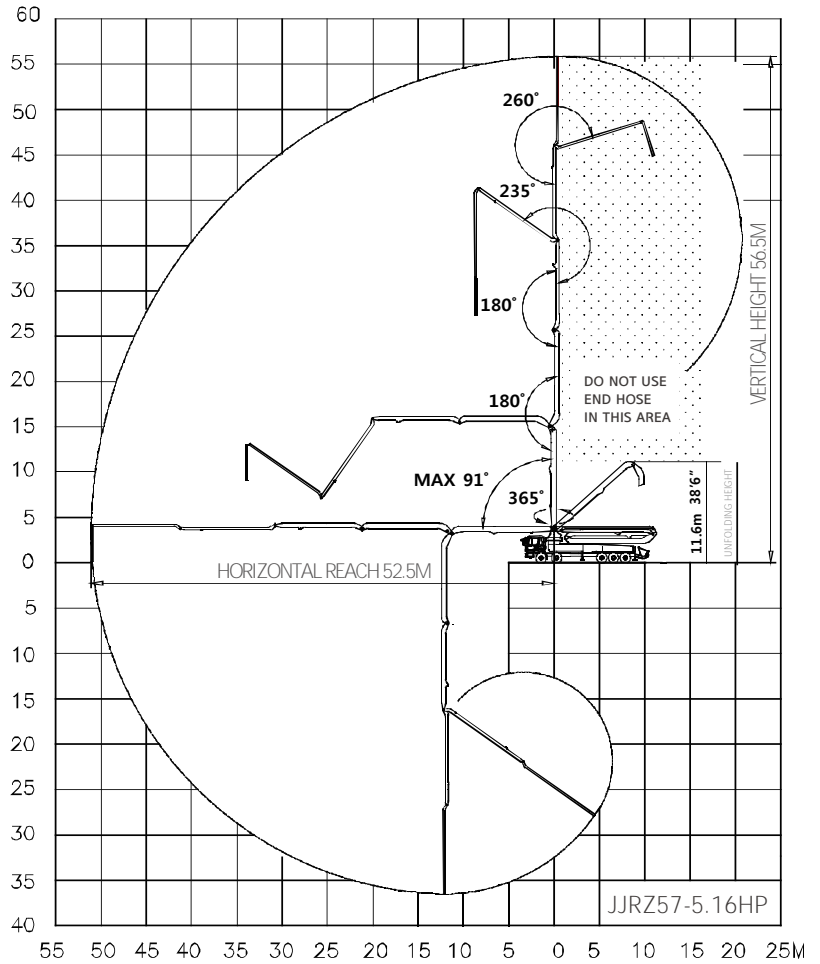
# JJRZ57-5.18HP

## DATA SHEET TRUCK MOUNTED BOOM PUMP

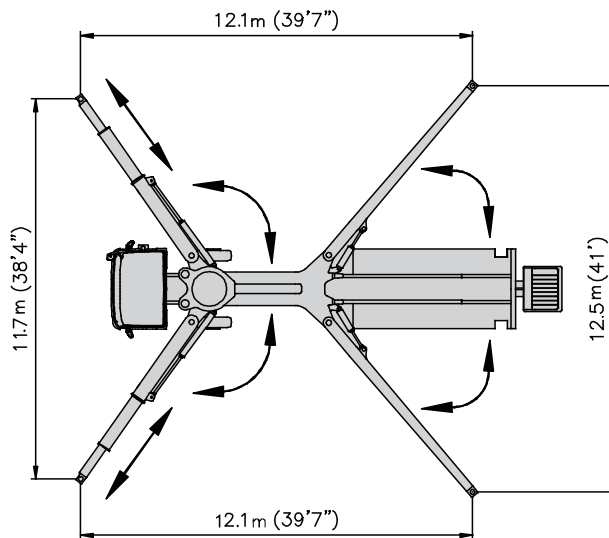


57M Truck Mounted Boom Pump with 177m<sup>3</sup>/h Output & RZ Type Boom Design

### BOOM WORKING DIAGRAM



### OUTRIGGER SPAN



\* All technical data are theoretical values and Specification are subject to change without prior notice.  
 \* www.junjin.com