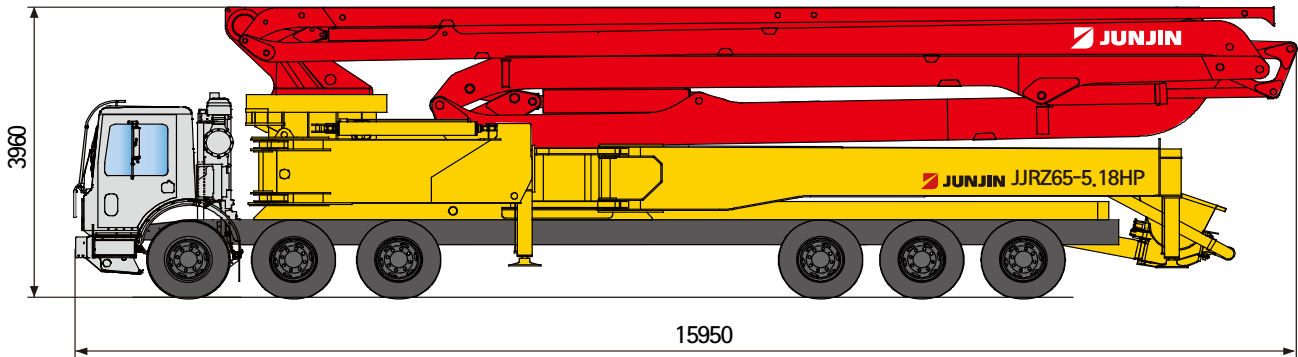


# JJRZ65-5.18HP

## DATA SHEET TRUCK MOUNTED BOOM PUMP



65M Truck Mounted Boom Pump | with 177m<sup>3</sup>/h Output & Roll-Z Type Boom Design



\* Remark : Standard specification with MACK. Dimension depends on truck specification.

### TECHNICAL SPECIFICATION

| GENERAL SPECIFICATION |                      | PUMP SPECIFICATION               |           |                       | BOOM SPECIFICATION |            |
|-----------------------|----------------------|----------------------------------|-----------|-----------------------|--------------------|------------|
| Delivery Line         | DN 125 / 5"          | Output                           | Rod       | 177 m <sup>3</sup> /h | Number of booms    | 5 Sections |
| Radio remote          | Proportional control |                                  | Piston    | 120 m <sup>3</sup> /h | Folding Type       | R & Z TYPE |
| Wear plate / Ring     | Tungsten Carbide     | Pressure                         | Rod       | 87 Bar                | Vertical Height    | 64.3 m     |
| Water Pump            | 20 Bar               |                                  | Piston    | 130 Bar               | Horizontal Reach   | 59.28 m    |
| Water Tank            | 800 Liter            | Delivery Cylinder (Hard-chromed) | Φ230 mm   |                       | Unfolding height   | 16.8 m     |
| Auto Lubrication      | Hyd. grease, Hopper  | Stroke Length                    | 2100 mm   |                       | End-Hose Length    | 4.0 m      |
|                       |                      | S - Valve                        | 8" X 7"   |                       | 1st Section        | 12.66 m    |
|                       |                      | No. of Stroke (L)                | 34 N/min  |                       | 2nd Section        | 10.12 m    |
|                       |                      | System Pressure                  | 350 Bar   |                       | 3rd Section        | 10.69 m    |
|                       |                      | Switching Type                   | Hydraulic |                       | 4th Section        | 13.22 m    |
|                       |                      | Hopper Capacity                  | 600 Liter |                       | 5th Section        | 13.62 m    |

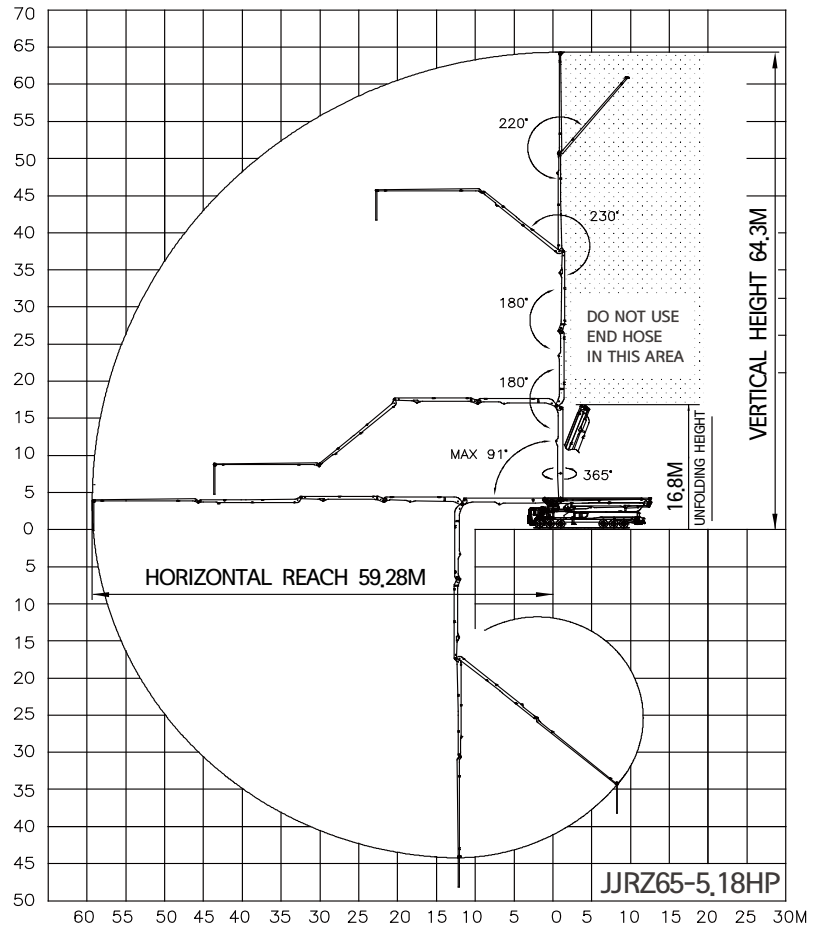
# JJRZ65-5.18HP

## DATA SHEET TRUCK MOUNTED BOOM PUMP

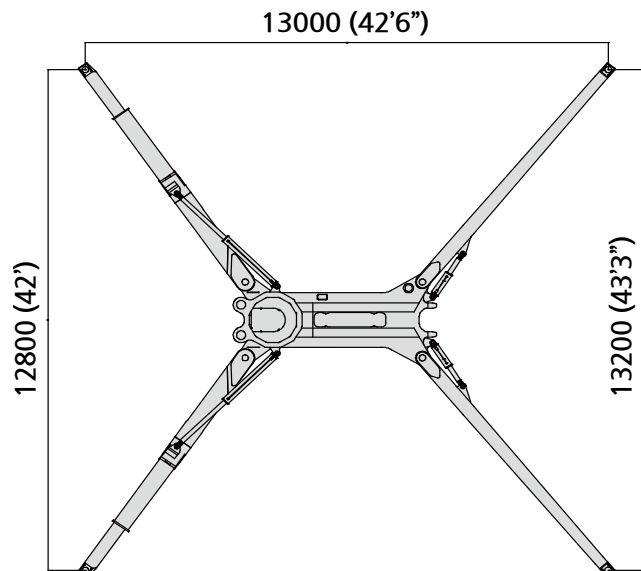


65M Truck Mounted Boom Pump | with 177m<sup>3</sup>/h Output & Roll-Z Type Boom Design

### BOOM WORKING DIAGRAM



### OUTRIGGER SPAN



\* All technical data are theoretical values and Specification are subject to change without prior notice.  
 \* www.junjin.com