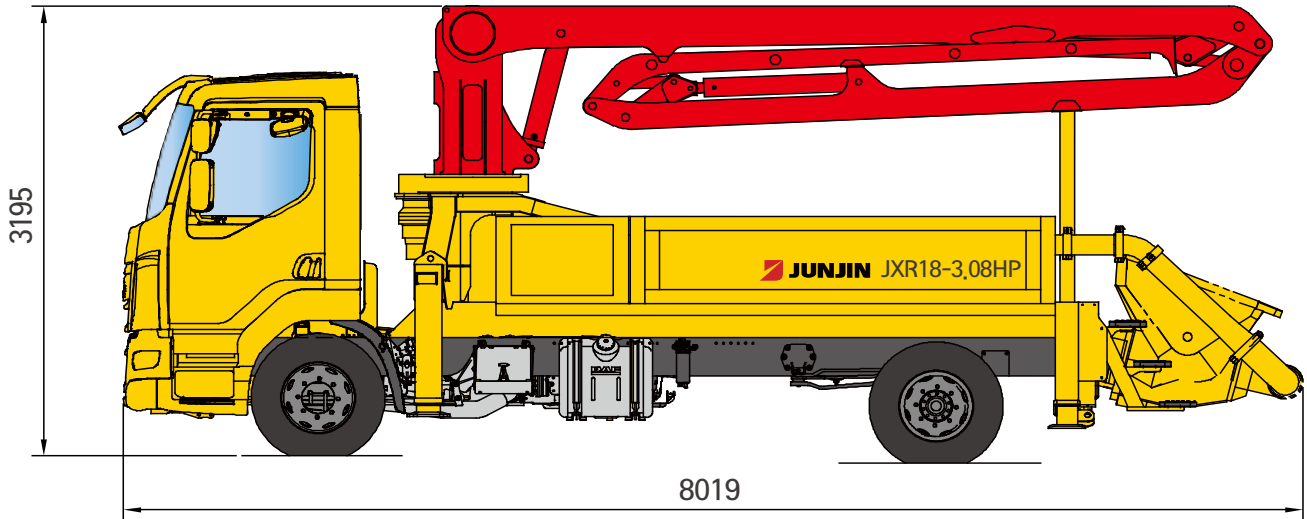


JXR18-3.08HP

DATA SHEET TRUCK MOUNTED BOOM PUMP



18M Truck Mounted Boom Pump with 80m³/h Output R Type Boom Design



* Remark : Standard specification with DAF 4X2. Dimension depends on truck specification.

TECHNICAL SPECIFICATION

GENERAL SPECIFICATION		PUMP SPECIFICATION			BOOM SPECIFICATION	
Delivery Line	DN 125 / 5"	Output	Rod	80 m ³ /h	Number of booms	3 Sections
Radio remote	Proportional control		Piston	55 m ³ /h	Folding Type	R
Wear plate / Ring	Tungsten Carbide	Pressure	Rod	61 Bar	Vertical Height	17.35 m
Water Pump	20 Bar		Piston	87 Bar	Horizontal Reach	14.15 m
Water Tank	500 Liter	Delivery Cylinder (Hard-chromed)	Φ200 mm		Unfolding height	5 m
Auto Lubrication	Hyd. grease, Hopper	Stroke Length	1200 mm		End-Hose Length	3.0 m
		S-Valve	8" X 7"		1st Section	5.35 m
		System Pressure	350 Bar		2nd Section	4.625 m
		Switching Type	Hydraulic		3rd Section	4.175 m
		Hopper Capacity	600 Liter			

* All technical data are theoretical values and Specification are subject to change without prior notice.
* www.junjin.at

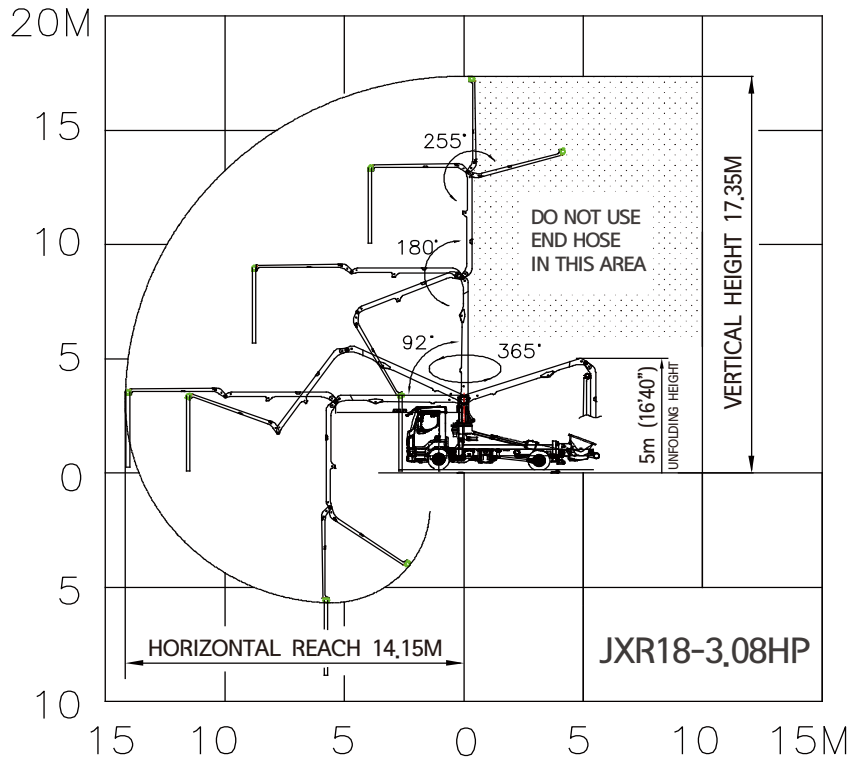
JXR18-3.08HP

DATA SHEET TRUCK MOUNTED BOOM PUMP

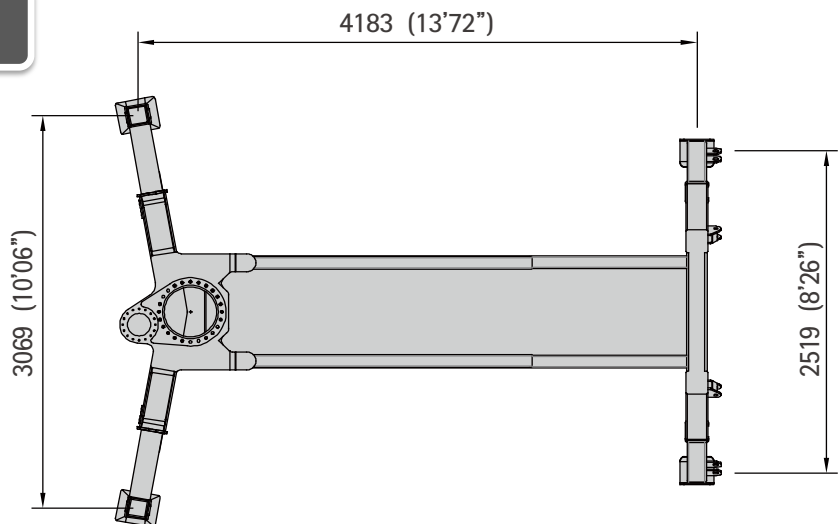


18M Truck Mounted Boom Pump with 80m³/h Output R Type Boom Design

BOOM WORKING DIAGRAM



OUTRIGGER SPAN



* All technical data are theoretical values and Specification are subject to change without prior notice.
* www.junj.in.at