

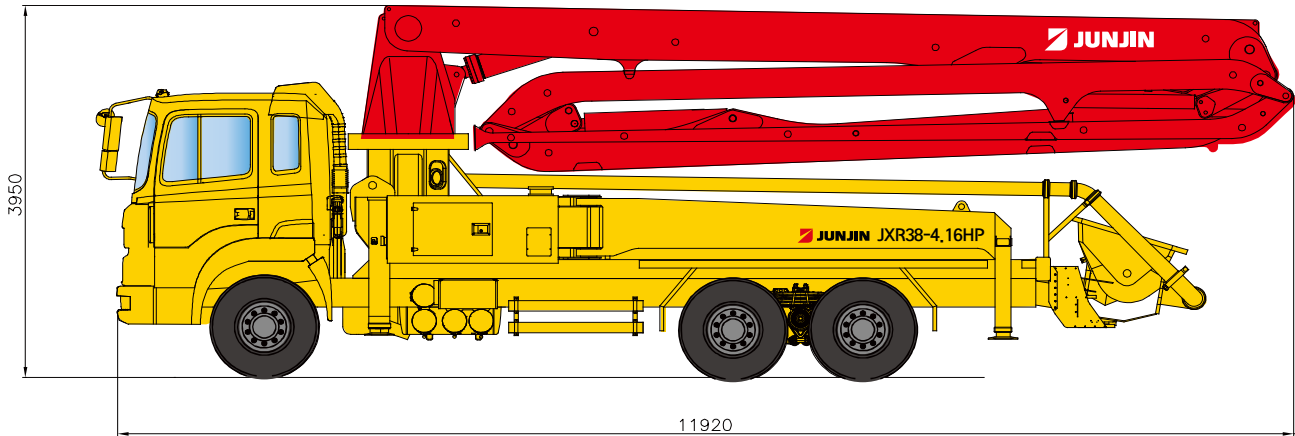
# JXR38-4.16HP

## DATA SHEET

TRUCK MOUNTED BOOM PUMP



### 38M Truck Mounted Boom Pump with 158m<sup>3</sup>/h Output & R Type Boom Design



\* Remark : Standard specification with Hyundai HD260. Dimension depends on truck specification.

#### TECHNICAL SPECIFICATION

GENERAL SPECIFICATION		PUMP SPECIFICATION			BOOM SPECIFICATION	
Delivery Line	DN 125 / 5"	Output	Rod	158 m <sup>3</sup> /h	Number of booms	4 Sections
Radio remote	Proportional control		Piston	98 m <sup>3</sup> /h	Folding Type	R TYPE
Wear plate / Ring	Tungsten Carbide	Pressure	Rod	72 Bar	Vertical Height	37.1 m
Water Pump	20 Bar		Piston	115Bar	Horizontal Reach	33.1 m
Water Tank	800 Liter	Delivery Cylinder (Hard-chromed)	Φ230 mm		Unfolding height	8.6 m
Auto Lubrication	Hyd. grease, Hopper	Stroke Length	2100 mm		End-Hose Length	3.0 m
		S - Valve	8" X 7"		1st Section	8.7 m
		Main Oil Pump	Rexroth Hydromatic		2nd Section	7.89 m
		System Pressure	350 Bar		3rd Section	8.08 m
		Switching Type	Hydraulic		4th Section	8.43 m
		Hopper Capacity	600 Liter			

\* All technical data are theoretical values and Specification are subject to change without prior notice.  
\* www.junjin.com

# JXR38-4.16HP

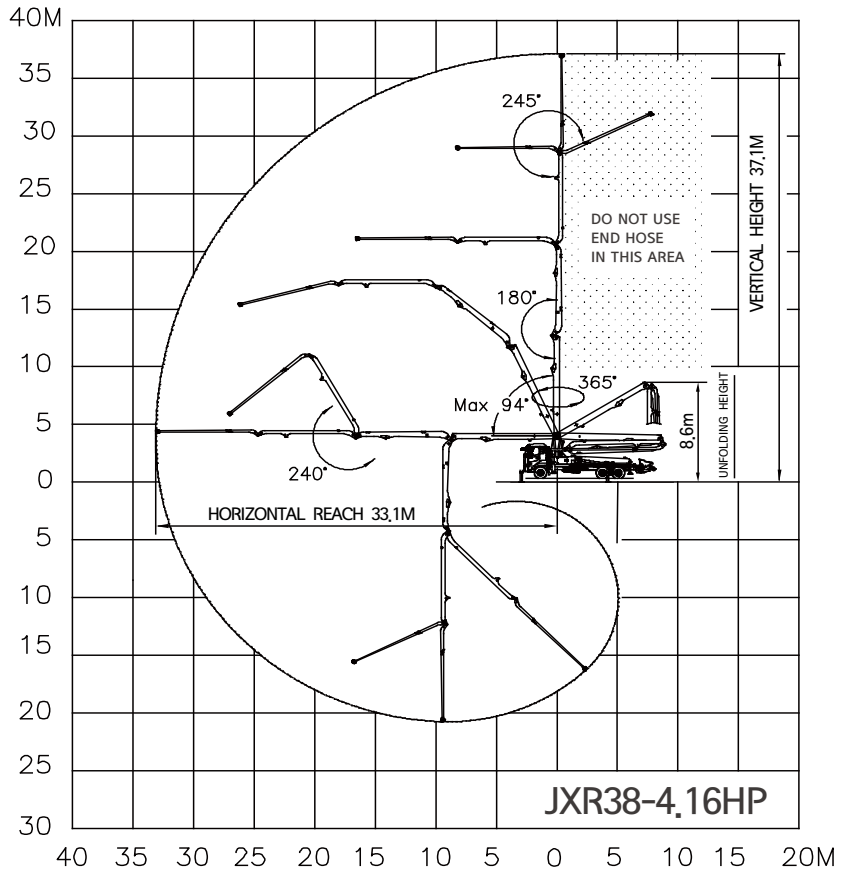
## DATA SHEET

TRUCK MOUNTED BOOM PUMP

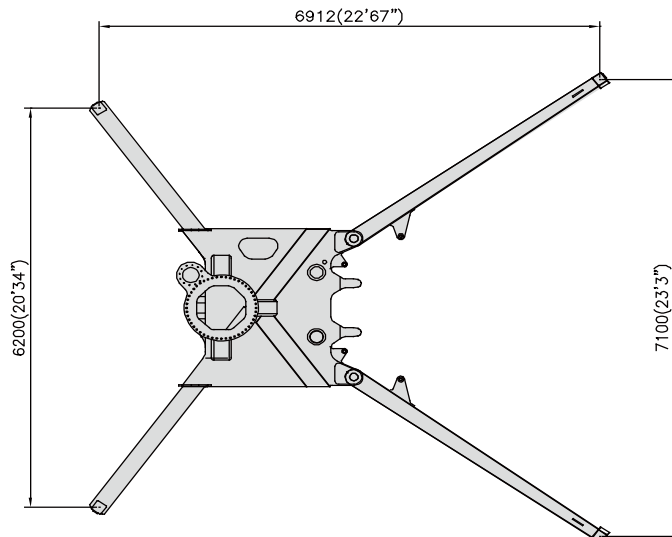


### 38M Truck Mounted Boom Pump with 158m<sup>3</sup>/h Output & R Type Boom Design

#### BOOM WORKING DIAGRAM



#### OUTRIGGER SPAN



\* All technical data are theoretical values and Specification are subject to change without prior notice.  
 \* www.junjin.com