

37M Truck Mounted Boom Pump with 158m³/h Output R & Z Type Boom Design

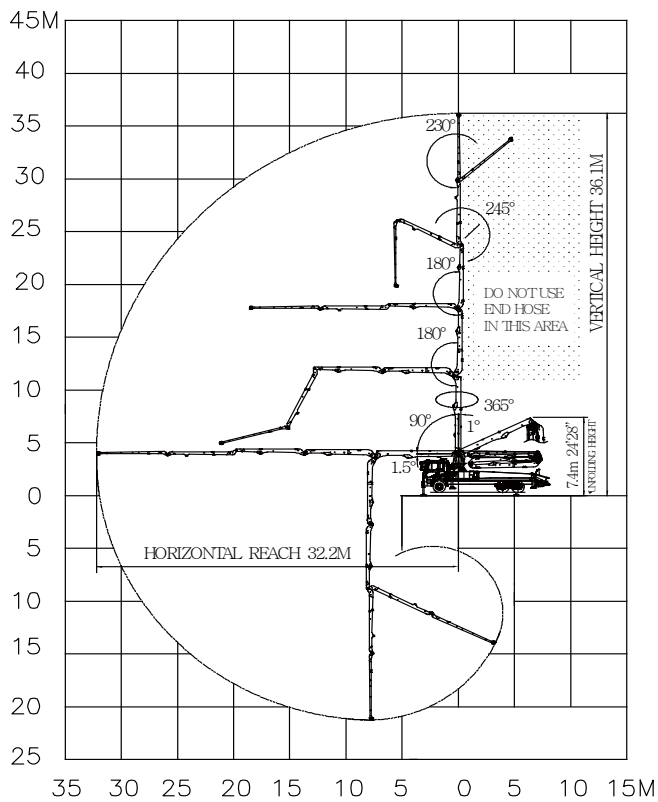
TECHNICAL SPECIFICATION

GENERAL SPECIFICATION	
Delivery Line	DN 125 / 5"
Radio remote	Proportional control
Wear plate / Ring	Tungsten Carbide
Water Pump	20 Bar
Water Tank	500 Liter
Auto Lubrication	Hyd. grease, Hopper

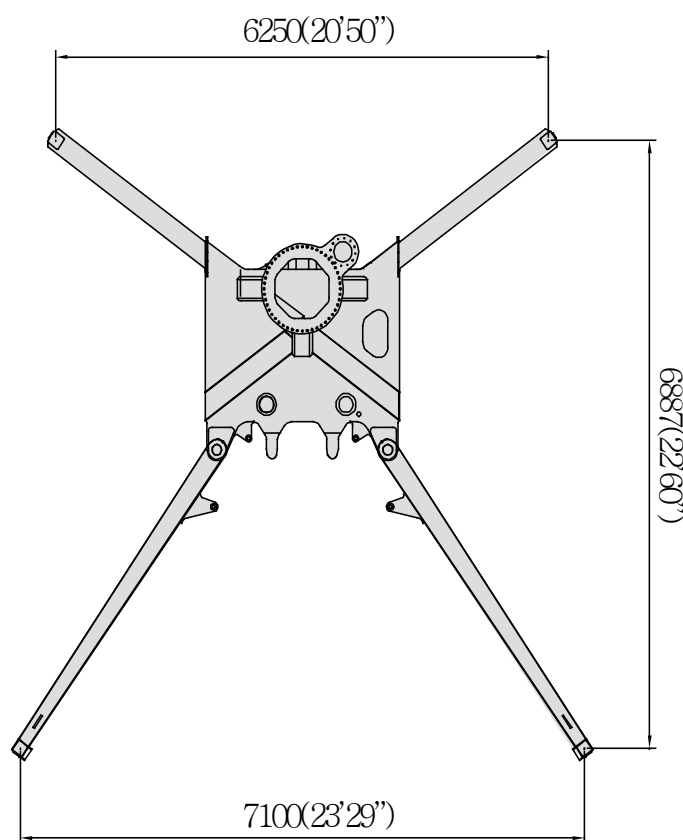
PUMP SPECIFICATION		
Output	Rod	158 m ³ /h
	Piston	98 m ³ /h
Pressure	Rod	72 Bar
	Piston	115 Bar
Delivery Cylinder (Hard-chromed)	Φ230 mm	
Stroke Length	2100 mm	
S-Valve	S2018	
System Pressure	350 Bar	
Switching Type	Hydraulic	
Hopper Capacity	600 Liter	

BOOM SPECIFICATION	
Number of booms	5 Sections
Folding Type	R & Z Type
Vertical Height	36.1 m
Horizontal Reach	32.2 m
Unfolding height	7.4 m
End-Hose Length	3.0 m
1st Section	7.35 m
2nd Section	6.35 m
3rd Section	6.05 m
4th Section	6.15 m
5th Section	6.30 m

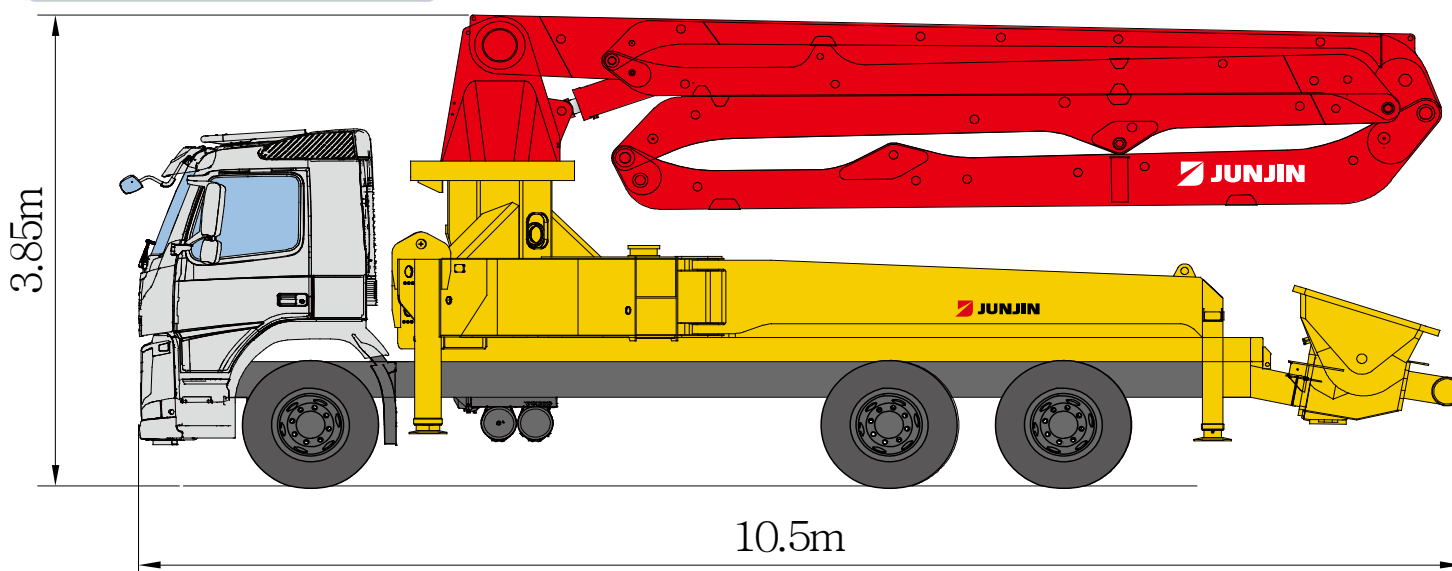
BOOM WORKING DIAGRAM



OUTRIGGER SPAN



MOUNTING DRAWING



* Remark : Standard specification with VOLVO EURO 6, 6x2. Dimension depends on truck specification.