

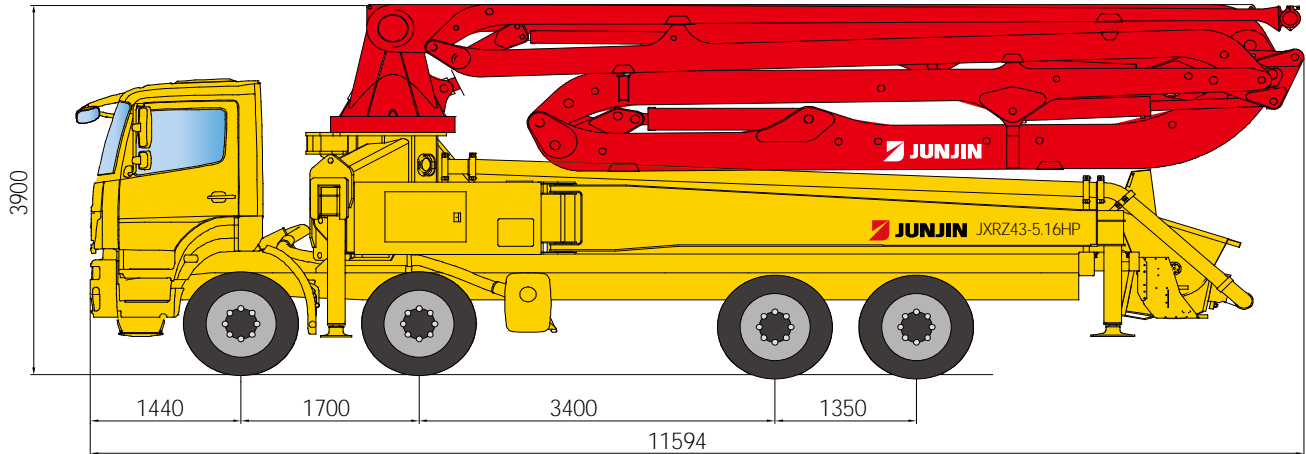
# JXRZ43-5.16HP

## DATA SHEET

TRUCK MOUNTED BOOM PUMP



43M Truck Mounted Boom Pump with 158m<sup>3</sup>/h Output & RZ Type Boom Design



\* Remark : Standard specification with BENZ MB4141 Actros. Dimension depends on truck specification.

### TECHNICAL SPECIFICATION

GENERAL SPECIFICATION		PUMP SPECIFICATION			BOOM SPECIFICATION	
Delivery Line	DN 125 / 5"	Output	Rod	158 m <sup>3</sup> /h	Number of booms	5 Sections
Radio remote	Proportional control		Piston	98 m <sup>3</sup> /h	Folding Type	R & Z
Wear plate / Ring	Tungsten Carbide	Pressure	Rod	72 Bar	Vertical Height	42.5 m
Water Pump	20 Bar		Piston	115 Bar	Horizontal Reach	38.5 m
Water Tank	500 Liter	Delivery Cylinder (Hard-chromed)	Φ230 mm		Unfolding height	8.8 m
Auto Lubrication	Hyd. grease, Hopper	Stroke Length	2100 mm		End-Hose Length	4.0 m
		S-Valve	8" X 7"		1st Section	8.4 m
		Main Oil Pump	Rexroth Hydromatic		2nd Section	7.0 m
		System Pressure	350 Bar		3rd Section	6.9 m
		Switching Type	Hydraulic		4th Section	7.9 m
		Hopper Capacity	600 Liter		5th Section	8.3 m

\* All technical data are theoretical values and Specification are subject to change without prior notice.  
\* www.junjin.com

# JXRZ43-5.16HP

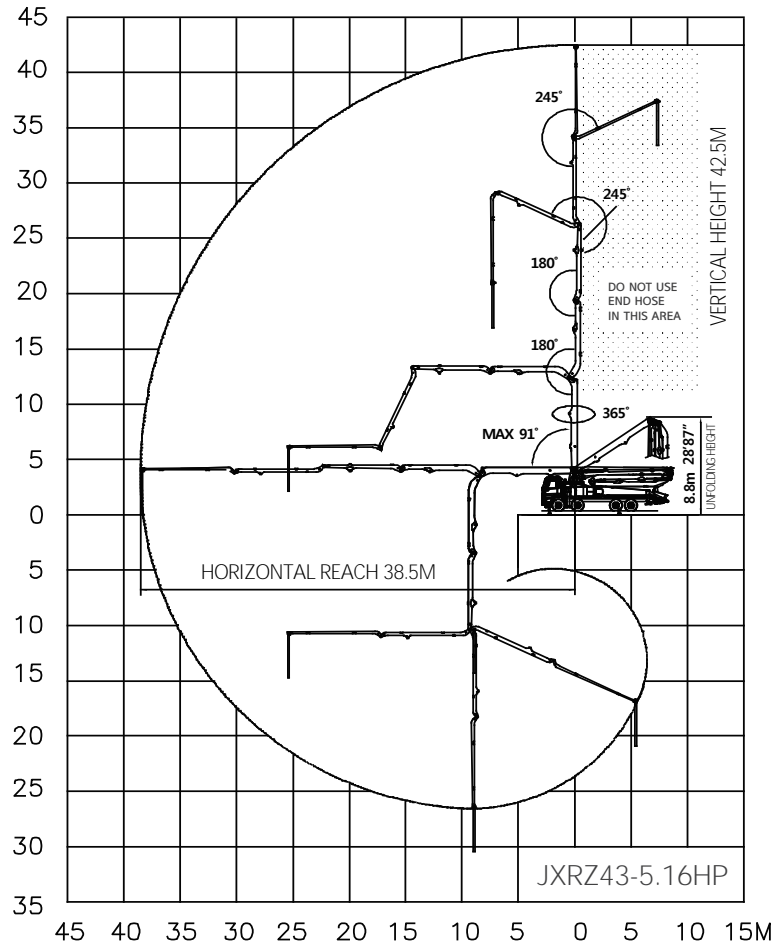
## DATA SHEET

TRUCK MOUNTED BOOM PUMP

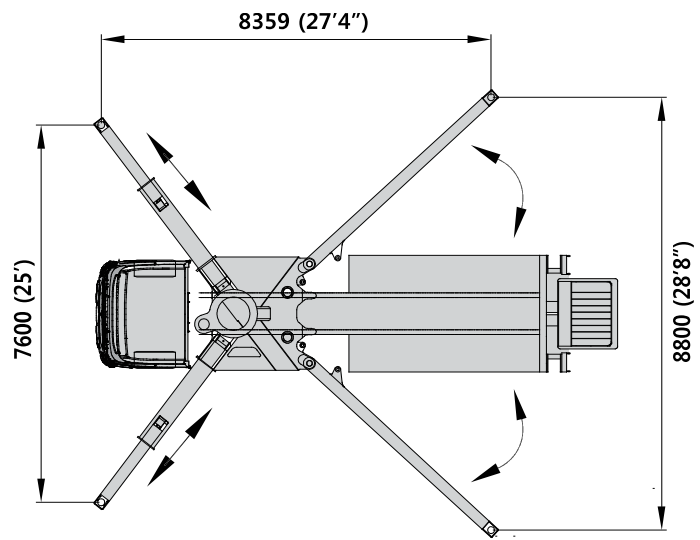


### 43M Truck Mounted Boom Pump with 158m<sup>3</sup>/h Output & RZ Type Boom Design

#### BOOM WORKING DIAGRAM



#### OUTRIGGER SPAN



\* All technical data are theoretical values and Specification are subject to change without prior notice.  
 \* www.junjin.com