

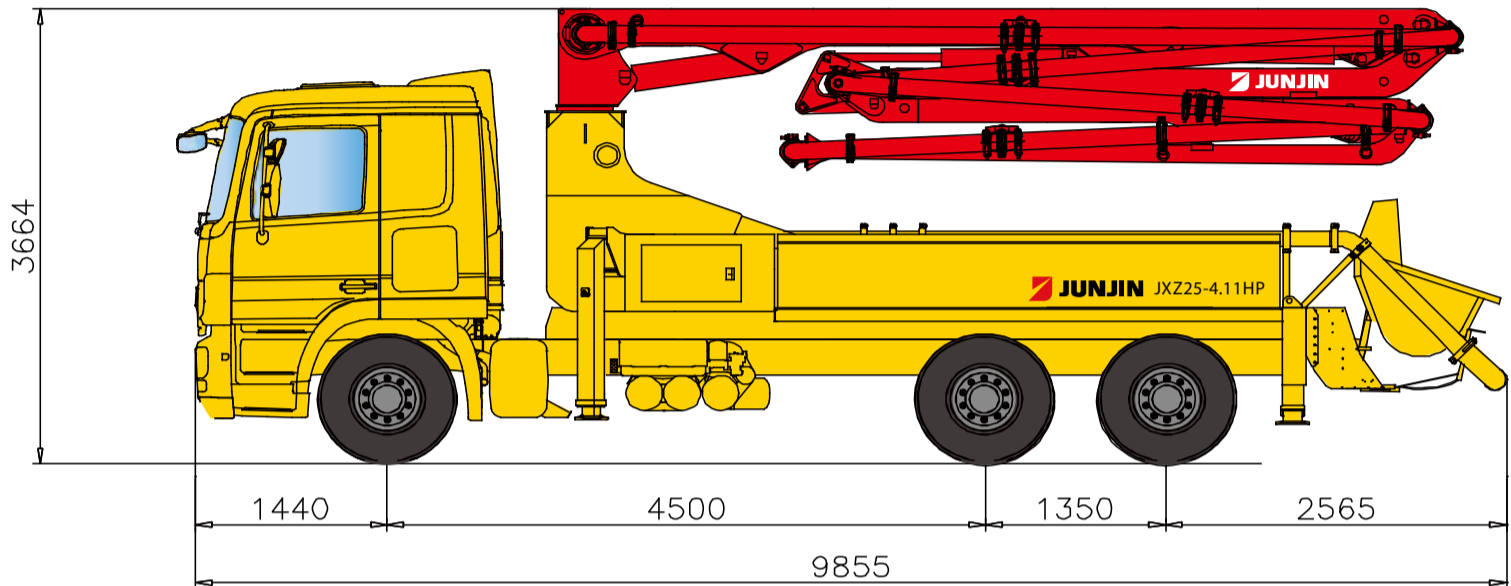
JXZ25-4.11HP

DATA SHEET

TRUCK MOUNTED BOOM PUMP



25M Truck Mounted Boom Pump with 110m³/h Output Z Type Boom Design



* Remark : Standard specification with MB2641. Dimension depends on truck specification.

TECHNICAL SPECIFICATION

GENERAL SPECIFICATION		PUMP SPECIFICATION			BOOM SPECIFICATION	
Delivery Line	DN 125 / 5"	Output	Rod	109 m ³ /h	Number of booms	4 Sections
Radio remote	Proportional control		Piston	73 m ³ /h	Folding Type	Z
Wear plate / Ring	Tungsten Carbide	Pressure	Rod	54 Bar	Vertical Height	24.3 m
Water Pump	20 Bar		Piston	80 Bar	Horizontal Reach	20.5 m
Water Tank	470 Liter	Delivery Cylinder (Hard-chromed)	Φ230 mm		Unfolding height	5.1 m
Auto Lubrication	Hyd. grease, Hopper	Stroke Length	1400 mm		End-Hose Length	3.0 m
		S-Valve	8" X 7"		1st Section	6.5 m
		Main Oil Pump	Rexroth Hydromatic		2nd Section	4.6 m
		System Pressure	350 Bar		3rd Section	4.6 m
		Switching Type	Hydraulic		4th Section	4.8 m
		Hopper Capacity	600 Liter			

* All technical data are theoretical values and Specification are subject to change without prior notice.
 * www.junj.in.com

JXZ25-4.11HP

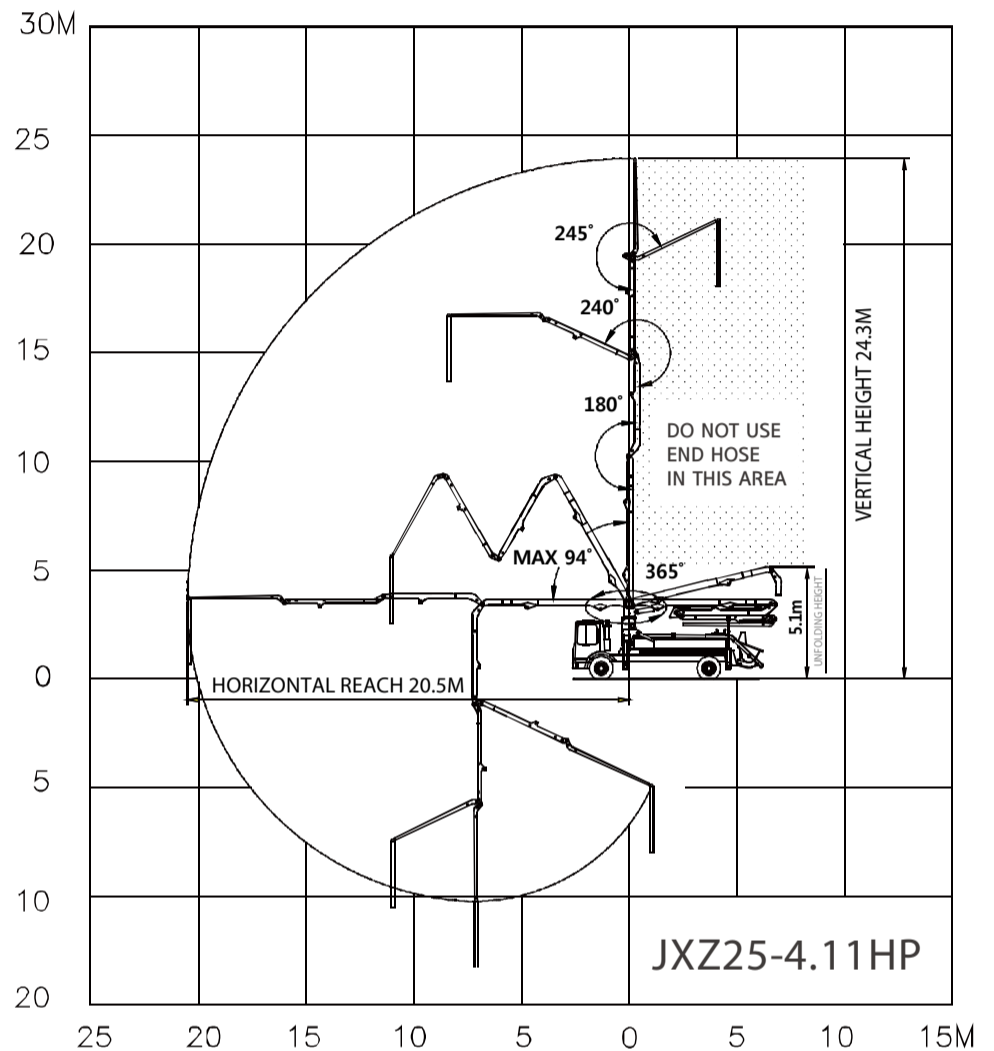
DATA SHEET

TRUCK MOUNTED BOOM PUMP

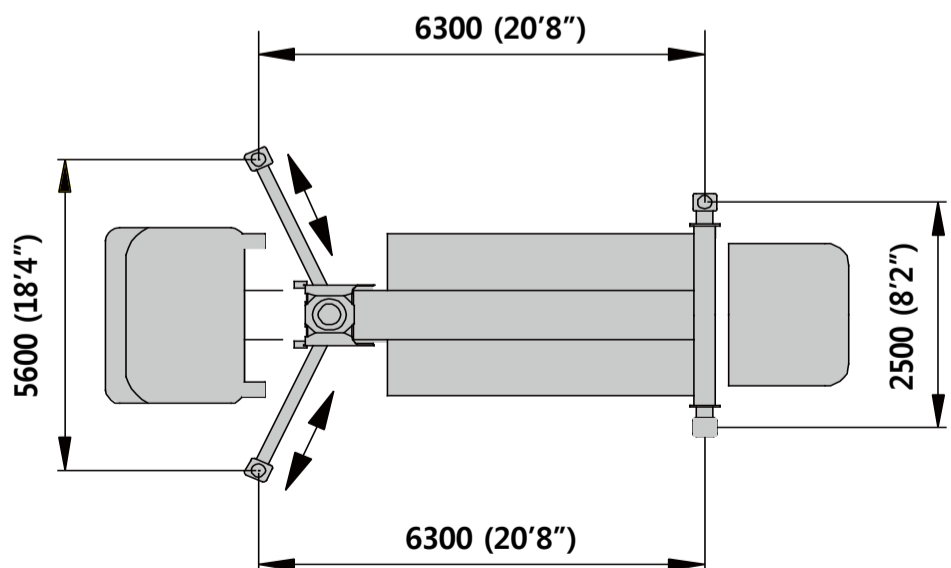


25M Truck Mounted Boom Pump with 110m³/h Output Z Type Boom Design

BOOM WORKING DIAGRAM



OUTRIGGER SPAN



* All technical data are theoretical values and Specification are subject to change without prior notice.
 * www.junjin.com