

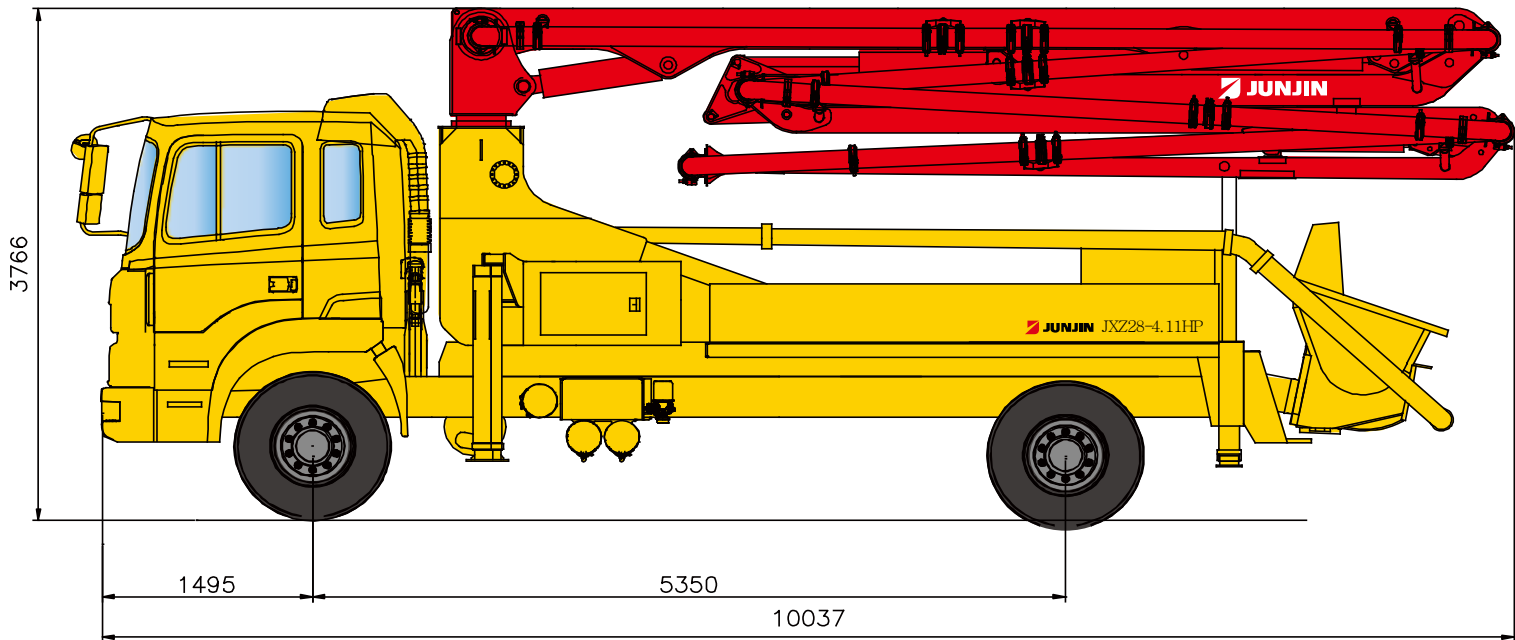
JXZ28-4.11HP

DATA SHEET

TRUCK MOUNTED BOOM PUMP



28M Truck Mounted Boom Pump with 110m³/h Output Z Type Boom Design



* Remark : Standard specification with HD170. Dimension depends on truck specification.

TECHNICAL SPECIFICATION

GENERAL SPECIFICATION		PUMP SPECIFICATION			BOOM SPECIFICATION	
Delivery Line	DN 125 / 5"	Output	Rod	109 m ³ /h	Number of booms	4 Sections
Radio remote	Proportional control		Piston	73 m ³ /h	Folding Type	Z TYPE
Wear plate / Ring	Tungsten Carbide	Pressure	Rod	54 Bar	Vertical Height	27.6 m
Water Pump	20 Bar		Piston	80 Bar	Horizontal Reach	23.8 m
Water Tank	470 Liter	Delivery Cylinder (Hard-chromed)	Φ230 mm		Unfolding height	6.4 m
Auto Lubrication	Hyd. grease, Hopper	Stroke Length	1400 mm		End-Hose Length	3.0 m
		S - Valve	8" X 7"		1st Section	7.2 m
		Main Oil Pump	Rexroth Hydromatic		2nd Section	5.2 m
		System Pressure	350 Bar		3rd Section	5.4 m
		Switching Type	Hydraulic		4th Section	6.0 m
		Hopper Capacity	600 Liter			

* All technical data are theoretical values and Specification are subject to change without prior notice.
 * www.junjn.com

JXZ28-4.11HP

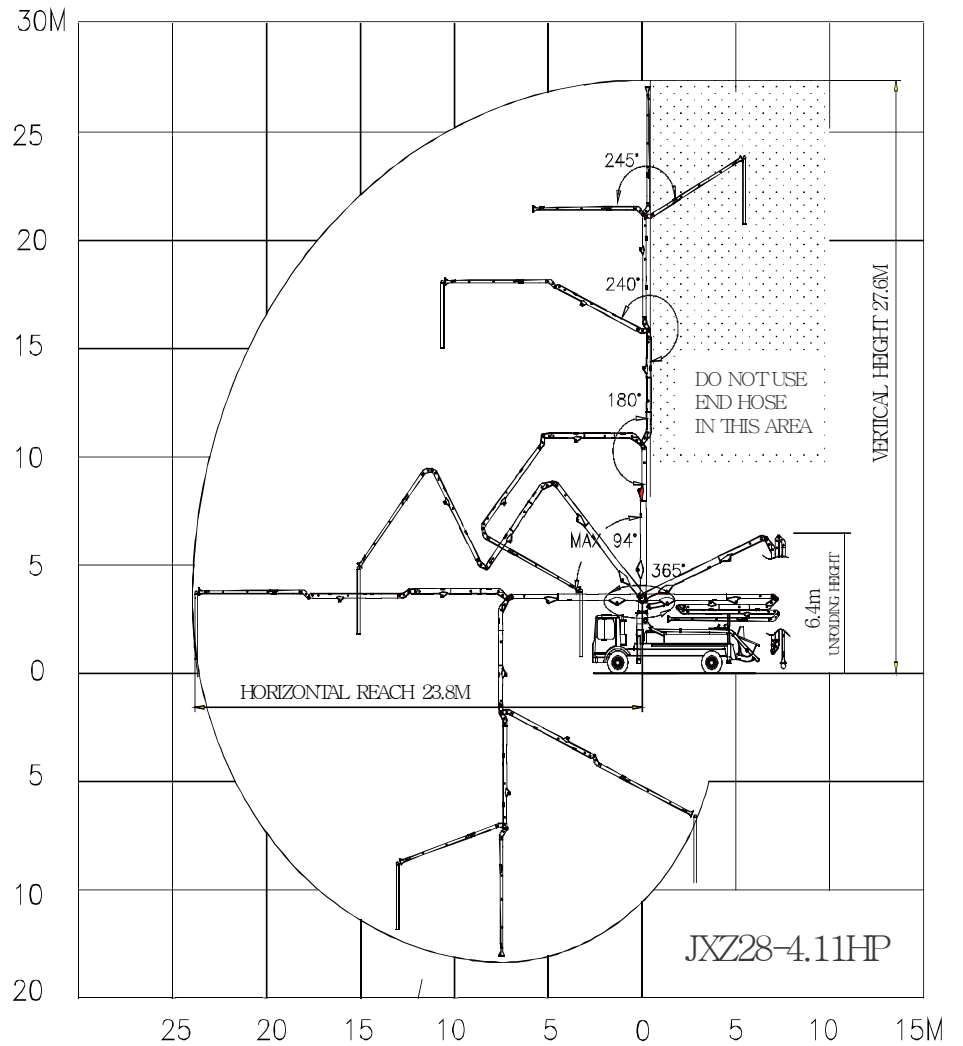
DATA SHEET

TRUCK MOUNTED BOOM PUMP

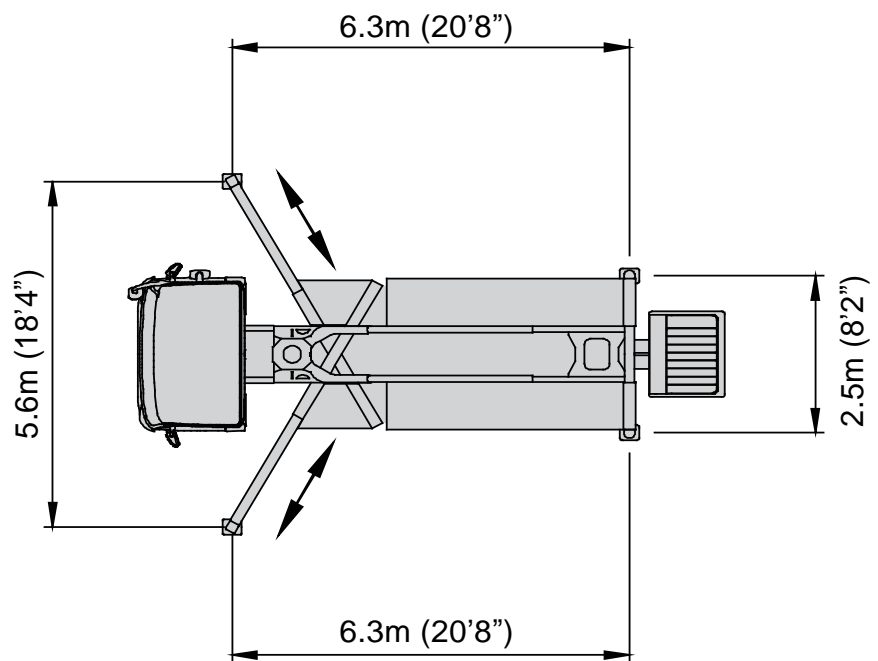


28M Truck Mounted Boom Pump with 110m³/h Output Z Type Boom Design

BOOM WORKING DIAGRAM



OUTRIGGER SPAN



* All technical data are theoretical values and Specification are subject to change without prior notice.
 * www.junjin.com