

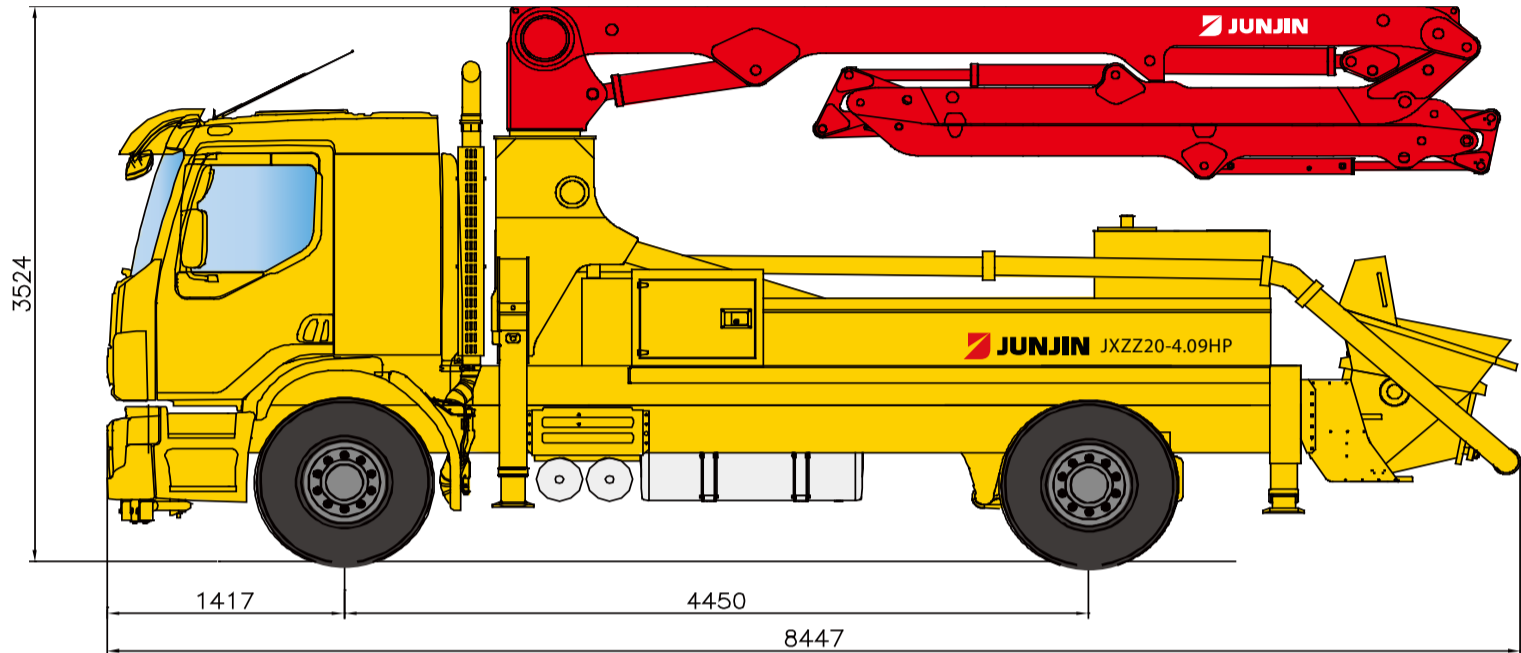
# JXZZ20-4.09HP

## DATA SHEET

TRUCK MOUNTED BOOM PUMP



### 20M Truck Mounted Boom Pump with 90m<sup>3</sup>/h Output ZZ Type Boom Design



\* Remark : Standard specification with VOLVO 4X2. Dimension depends on truck specification.

### TECHNICAL SPECIFICATION

GENERAL SPECIFICATION		PUMP SPECIFICATION			BOOM SPECIFICATION	
Delivery Line	DN 125 / 5"	Output	Rod	90 m <sup>3</sup> /h	Number of booms	4 Sections
Radio remote	Proportional control		Piston	60 m <sup>3</sup> /h	Folding Type	ZZ
Wear plate / Ring	Tungsten Carbide	Pressure	Rod	71 Bar	Vertical Height	20 m
Water Pump	20 Bar		Piston	106 Bar	Horizontal Reach	16.4 m
Water Tank	430 Liter	Delivery Cylinder (Hard-chromed)	Φ200 mm		Unfolding height	4.2 m
Auto Lubrication	Hyd. grease, Hopper	Stroke Length	1400 mm		End-Hose Length	3.0 m
		S-Valve	8" X 7"		1st Section	5.51 m
		Main Oil Pump	Rexroth Hydromatic		2nd Section	3.62 m
		System Pressure	350 Bar		3rd Section	3.62 m
		Switching Type	Hydraulic		4th Section	3.65 m
		Hopper Capacity	450 Liter			

\* All technical data are theoretical values and Specification are subject to change without prior notice.  
 \* www.junj.in.com

# JXZZ20-4.09HP

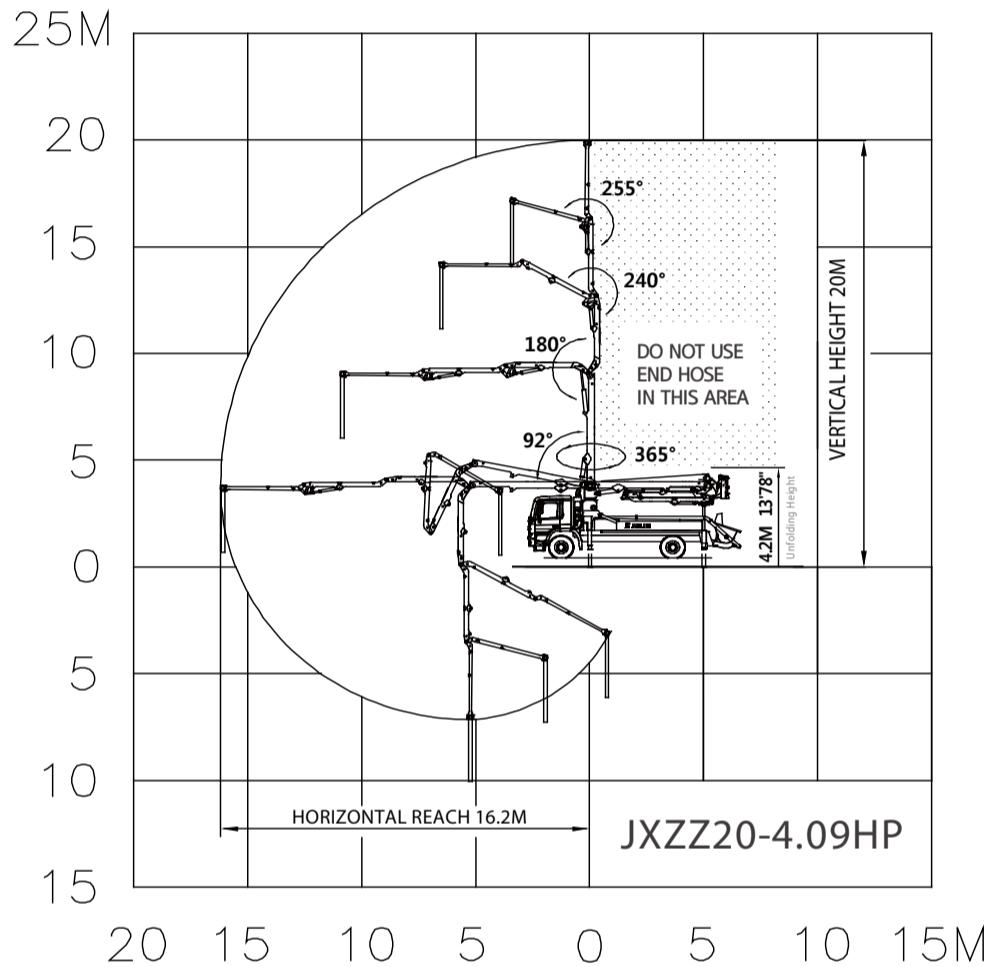
## DATA SHEET

TRUCK MOUNTED BOOM PUMP

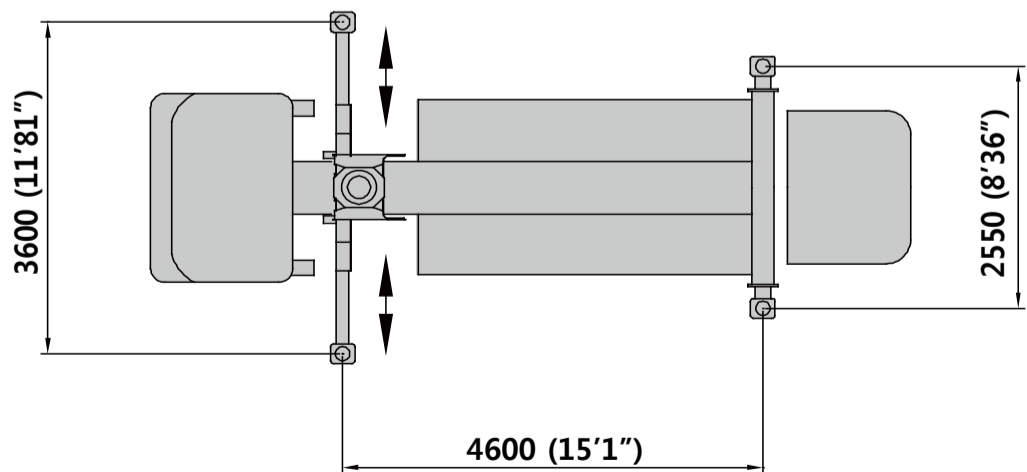


20M Truck Mounted Boom Pump with 90m<sup>3</sup>/h Output ZZ Type Boom Design

### BOOM WORKING DIAGRAM



### OUTRIGGER SPAN



\* All technical data are theoretical values and Specification are subject to change without prior notice.  
 \* www.junjin.com