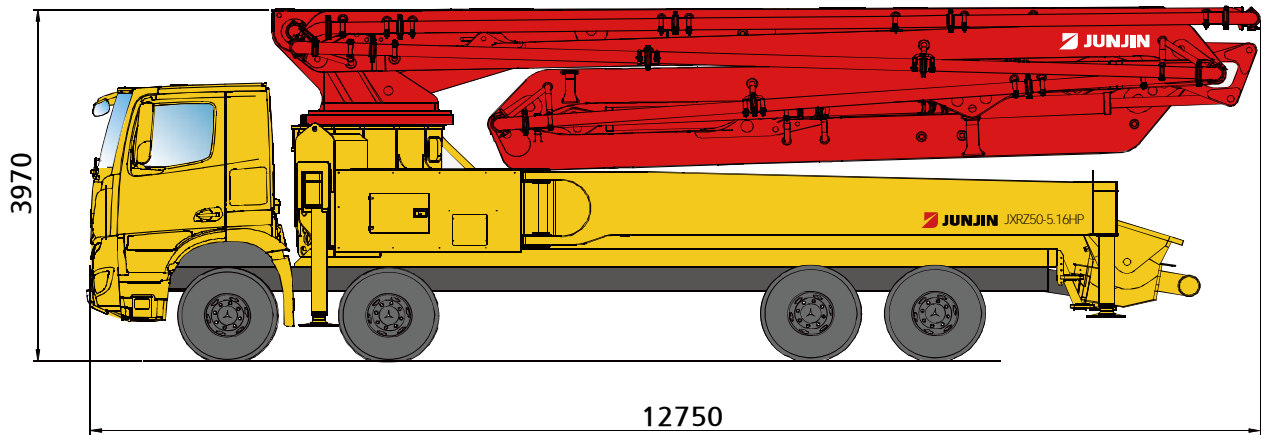


JXRZ50-5.16HP

DATA SHEET TRUCK MOUNTED BOOM PUMP



New 50M Truck Mounted Boom Pump with 158m³/h Output & RZ Type Boom Design



* Remark : Standard specification with BENZ 8X4. Dimension depends on truck specification.

TECHNICAL SPECIFICATION

GENERAL SPECIFICATION		PUMP SPECIFICATION			BOOM SPECIFICATION	
Delivery Line	DN 125 / 5"	Output	Rod	158 m ³ /h	Number of booms	5 Sections
Radio remote	Proportional control		Piston	98 m ³ /h	Folding Type	R & Z TYPE
Wear plate / Ring	Tungsten Carbide	Pressure	Rod	72 Bar	Vertical Height	49.3 m
Water Pump	20 Bar		Piston	115 Bar	Horizontal Reach	44.4 m
Water Tank	500 Liter	Delivery Cylinder (Hard-chromed)	Φ230 mm		Unfolding height	10.8 m
Auto Lubrication	Hyd. grease, Hopper	Stroke Length	2100 mm		End-Hose Length	4.0 m
		S - Valve	S2018			
		System Pressure	350 Bar			
		Switching Type	Hydraulic			
		Hopper Capacity	600 Liter			

* All technical data are theoretical values and Specification are subject to change without prior notice.
* www.junjin.com

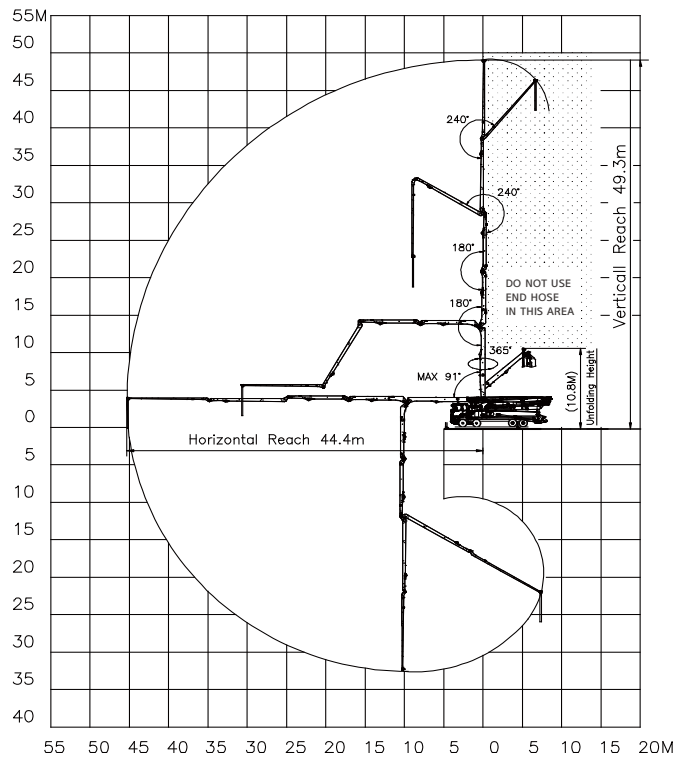
JXRZ50-5.16HP

DATA SHEET TRUCK MOUNTED BOOM PUMP

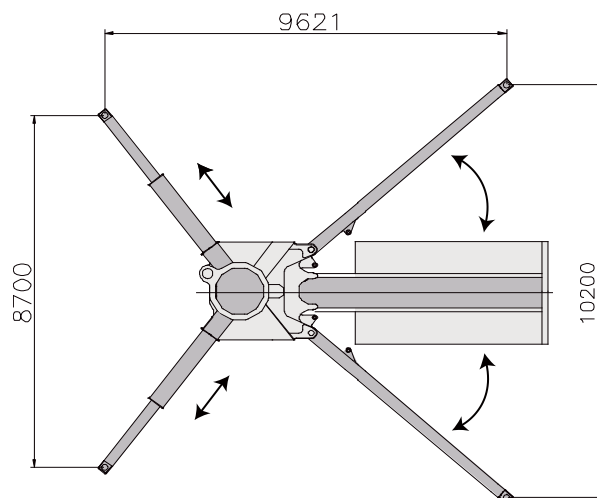


New 50M Truck Mounted Boom Pump with 158m³/h Output & RZ Type Boom Design

BOOM WORKING DIAGRAM



OUTRIGGER SPAN



* All technical data are theoretical values and Specification are subject to change without prior notice.
* www.junjin.com